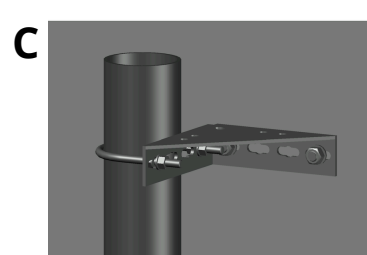
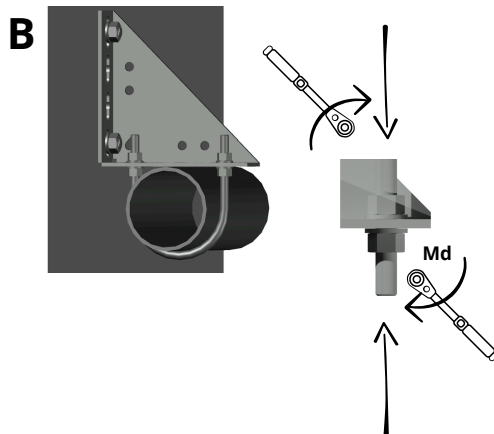
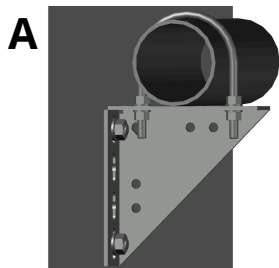


RUB



M	Md
M8	10 Nm
M10	20 Nm
M12	30 Nm
M16	40 Nm

PS



A+B+C

